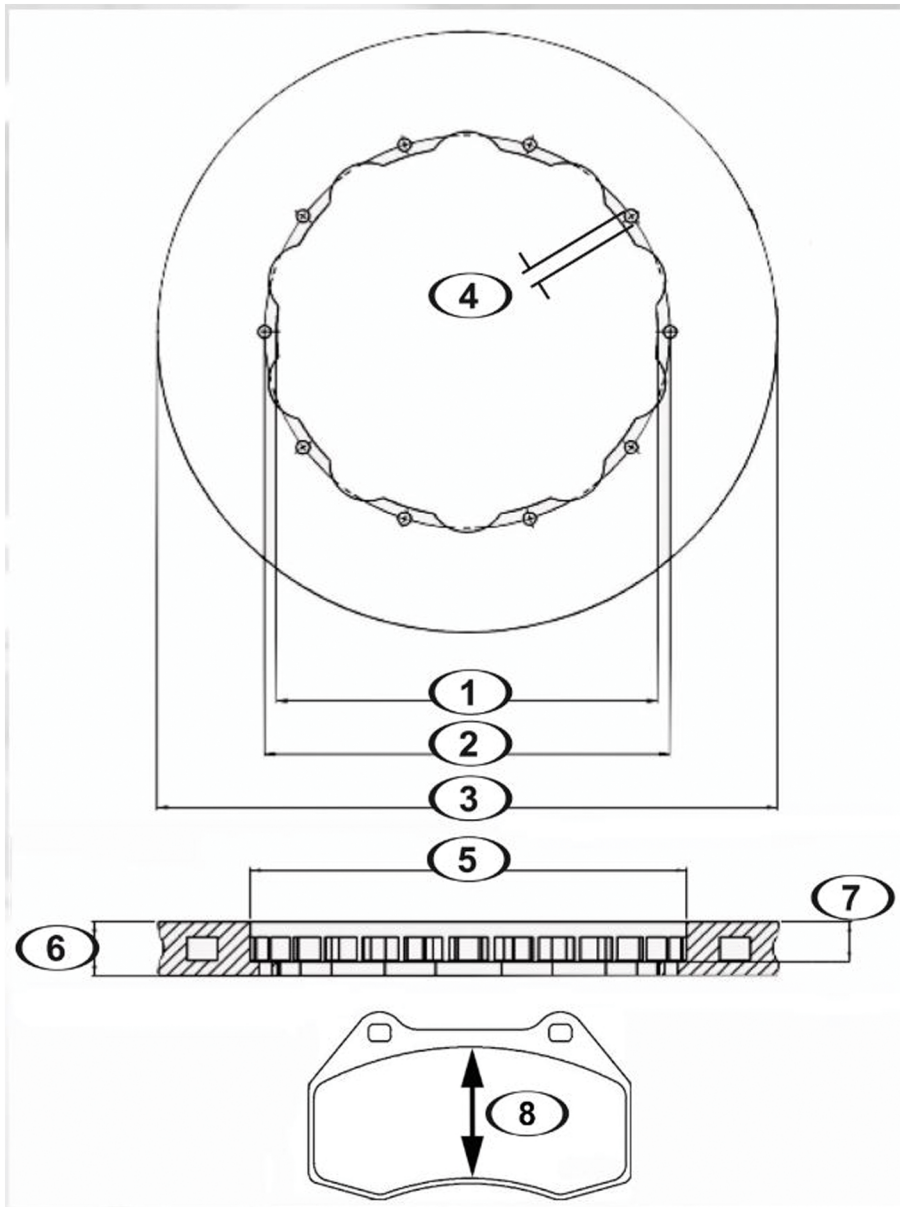


Please fill out all fields. Your request will be processed as soon as possible.

Do you need support?

Our technical department will be glad to help you further on 0049 8341 995770.



1* _____ mm

2* _____ mm

3* _____ mm

4* _____ mm

5* _____ mm

6* _____ mm

7* _____ mm

8* _____ mm

Type:

drilled

wet

wave

Your E-Mail address: _____

You can send this formular by

E-Mail: info@schmid-motorsport.de

or

Fax: 0049 8341 995770

www.schmid-motorsport.de